

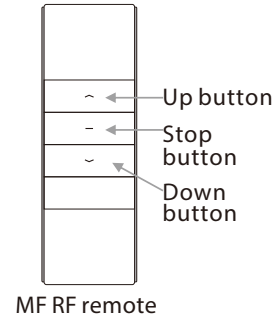
First you need to pair the RF remote handset to the screen, then you pair the 12V wireless trigger to the RF remote handset.

**Remote pairing:**

It's the remote pairing status once motor connect to the power within 10 seconds. Press UP & STOP button together for remote pairing with screen, once done, operate screen go down and go up once for test.

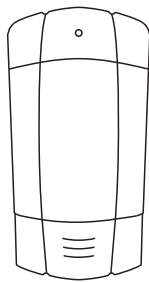
**Remote un-pairing:**

It's the remote pairing status once motor connect to the power within 10 seconds. Press UP & STOP button together for clear the memory, once done, operate screen go down and go up once for test.



## 433RF Wireless Trigger User Guide

This wireless trigger is designed to use with Inceiling projection screens. It wirelessly triggers projection screen when the projector is turned on/off.



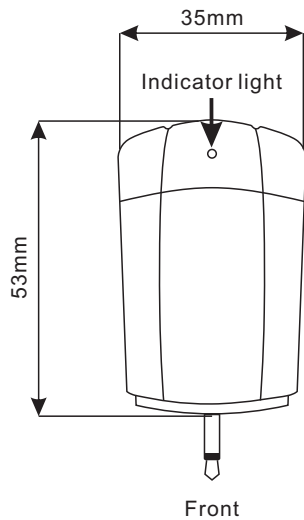
DC239



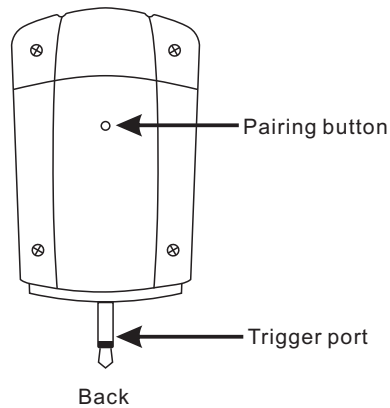
USB Converter Cable

**Specifications:**

- Battery: CR2430 3V
- Input: AC/DC5-12V
- Trigger interface: 3.5mm mini port
- Frequency: 433.92Mhz +100Khz
- Operational distance: 10m
- Operational temperature: -10°C-50°C



Front



Back

**Instruction:**

- A. Pairing – Operate within 2m distance from the screen
1. Open the back cover of the RF remote. Press P2 button twice
  2. Press pairing button on the 433RF trigger one time, the red light will flash
  3. Connect 433RF trigger with the USB converting cable. Plug into the any USB power source, the screen fabric would come down. Unplug it from the USB power source, the screen fabric would retract. Once done, the pairing process is finished.
- B. Projector connection
1. If trigger port is available on the projector, simply connect the 433RF trigger to it directly.
  2. If trigger port is not available on the projector, connect the 433RF trigger to the supplied 3.5mm to USB converter cable. And plug it into the projector's USB port. Ensure the USB port is powered when projector is turned on and vice versa.

